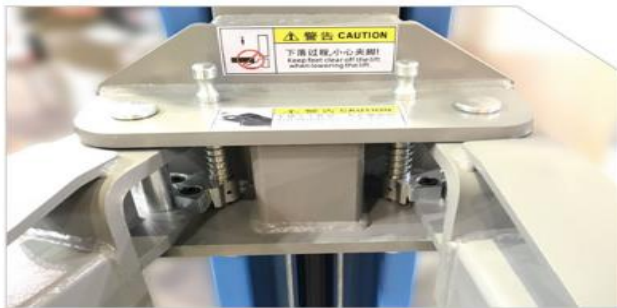


## 2 post 4 ton Flour plate SHULI

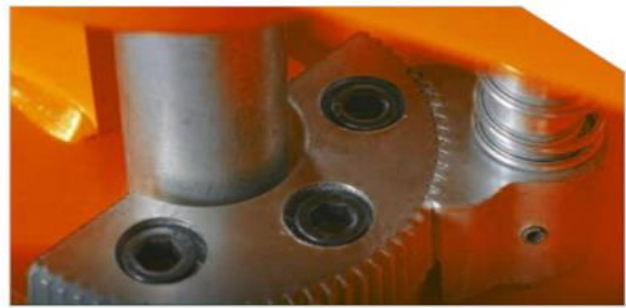
2 year warranty Price :800 – 850 omr depend on location

Product Features:

- ◆Oil cylinder parts made by automatic high rotation speed CNC lathe ensure the excellent finish and concentricity
- ◆Japanese / Italian oil sealing elements, overload protection, international brand oil pipe
- ◆Direct drive twin cylinders, with safety steel wire as synchronization
- ◆Polymer wear-resistance slider
- ◆Electric / pneumatic unlocked safety, arm locks with tooth type ratchet, multi-safety device, more reliable
- ◆Gate type, for operation more easy, no obstruction onto the floor



Solid steel plate



Safety lock through the EU test

- ◆Oil cylinder parts made by automatic high rotation speed CNC lathe ensure the excellent finish and concentricity
  - ◆Japanese / Italian oil sealing elements, overload protection, international brand oil pipe
  - ◆Direct drive twin cylinders, with safety steel wire as synchronization
  - ◆Polymer wear-resistance slider
  - ◆Electric / pneumatic unlocked safety, arm locks with tooth type ratchet, multi-safety device, more reliable
  - ◆Gate type, for operation more easy, no obstruction onto the floor
  - ◆Roof protection safety device, automatic arm lock by built in ratchet tooth
  - ◆Shot blasting and high temperature baking powder coated surface finish
- 
- ◆Roof protection safety device, automatic arm lock by built in ratchet tooth

◆ Shot blasting and high temperature baking powder coated surface finish

## Product Features



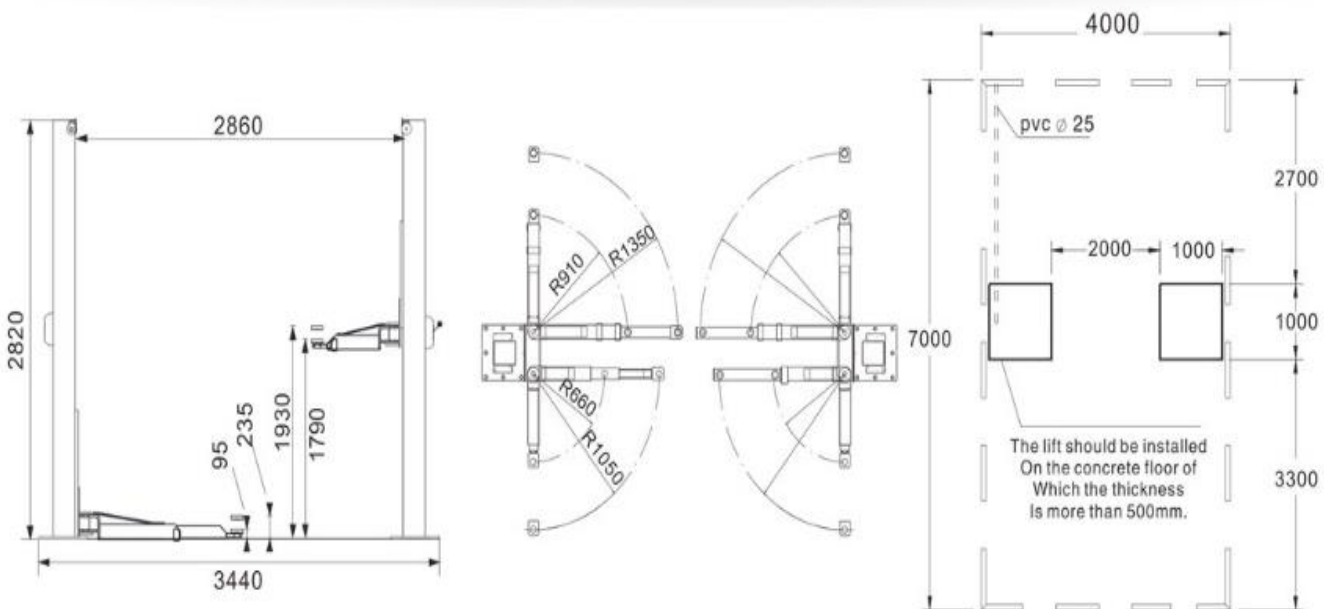
The standard height extension



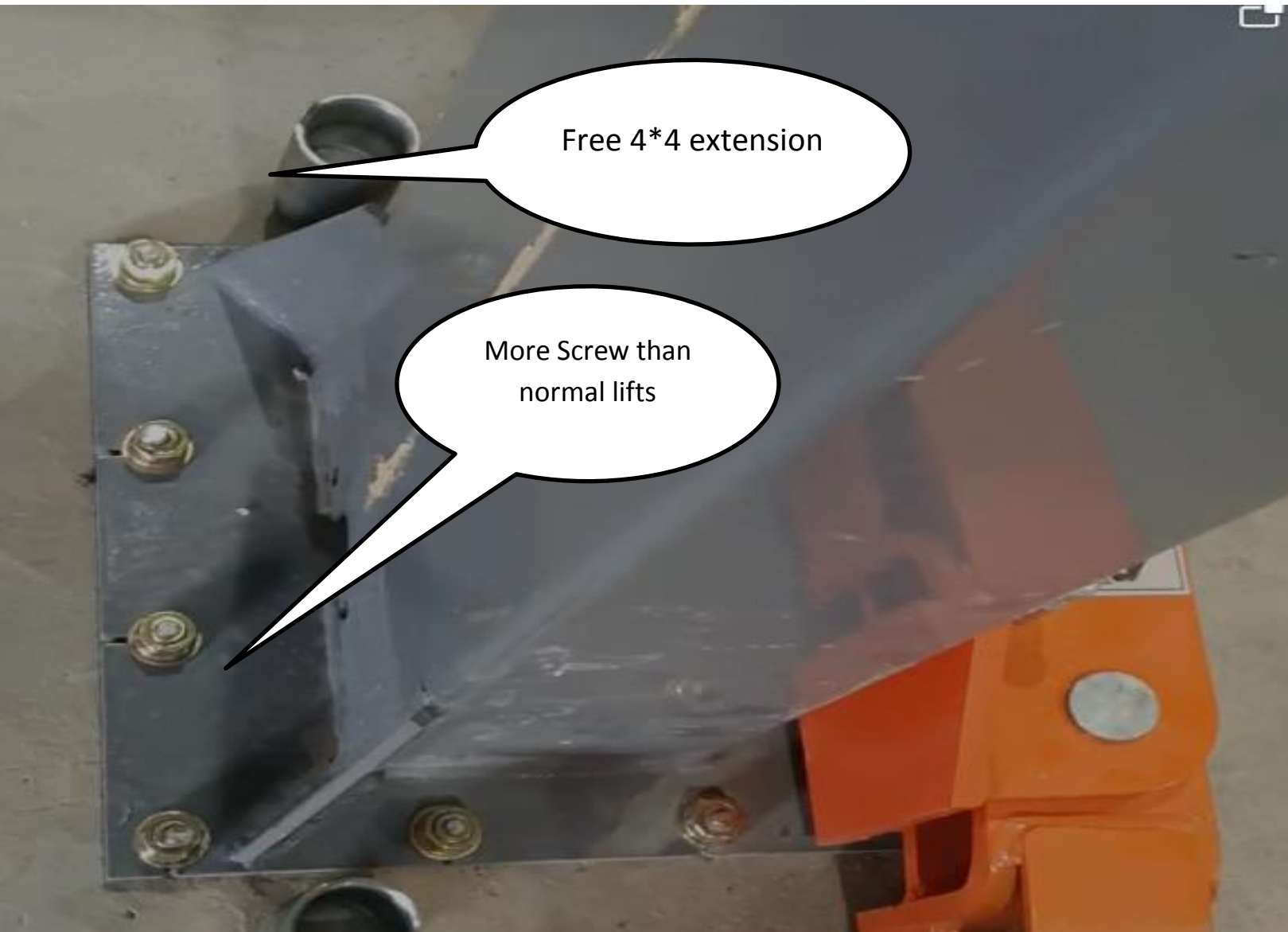
16mm solid steel plate



2 & 3 stages ultra-low arms, for the low chassis sport car, strength 20% higher







Unlock two  
Lock from one  
side